

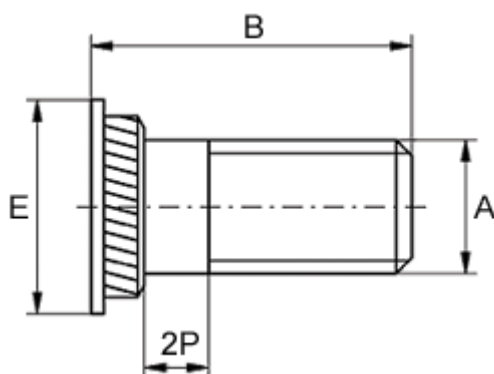
# Data Sheet



Article number: 12512700050100  
Description: KLEE-coil 512 700 050.100  
M5 Hardened, zinc-pl.

## Measures

---



For plate thickness, min	= 1.5
Head diameter E	= 8
Hole diameter +0.1	= 6.4
Length B	= 12
Male thread A	= M5x0,8
Min distance to edge	= 3.3